

HYDRO-RAIN®

Built for Speed™

PVC-Lock®

BY HYDRO-RAIN

PVC-Lock® by Hydro-Rain® is a remarkable push-fit fitting for repairing or installing PVC piped sprinkler systems without toxic glues or primers. Each PVC-Lock® fitting contains a stainless steel retainer ring and an O-ring seal, preventing leaking at both low and abnormally high pressures.

Using PVC-Lock® fittings allows you to “lose the glue” and reduces traditional installation times by over 50%. With PVC-Lock® you’ll leave your project with clean hands and a clear conscience knowing that your installation crew and the environment are being protected from harmful chemicals.

With the successful introduction of our PVC-Lock push-on fittings, Hydro-Rain saw a need with contractors to directly connect our fittings to valves. Thus, the 1" PVC-Lock Manifold Tee was introduced - Incorporating all the highly engineered attributes of our PVC-Lock fittings. The 1" PVC-Lock x 1" Mipt x 1" Spigot configuration allows direct connection to the valve and potential serial connections to other valves.

BUILT FOR SPEED ADVANTAGES

- **Patent Pending “Push-and-Go” Design**—100% tool and chemical free approach that cuts installation time in half.
- **All-Weather Use**—Install in wet or dry conditions.
- **Instant-On Capability**—Fully pressurize immediately after installation. No waiting for glue to dry.

BUILT FOR GREEN ADVANTAGES

- **PVC-Lock® Fittings are Chemical Free**—Glueless, tool-free installation protects the environment and the long-term health of your crew.

FEATURES AND BENEFITS

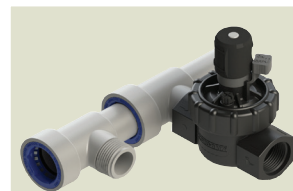
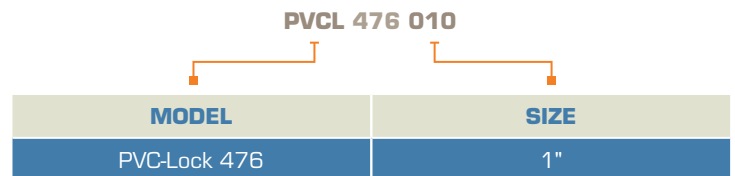
- **Patent Pending Retaining System**—Stainless steel teeth grip pipe tight for a strong, leak-proof connection.
- **Swivels on the Pipe**—After installation, PVC-Lock® manifold fittings can swivel 360° around the pipe allowing easy valve maintenance and repair.
- **Universal**—For use with all brands of Schedule 40 and 80, and Class PVC pipe.
- **Removable & Reusable**—On-site sizing adjustments are easy using the PVC-Lock removal tool.
- **Mainline Rated**—For use on either side of the irrigation valve.



MODELS SKU DESCRIPTION

MODELS	SKU	DESCRIPTION
PVCL-476-010	08685	1" PVC-Lock Manifold Tee

HOW TO SPECIFY



HYDRO-RAIN®

Built for Speed™

PVC-Lock®

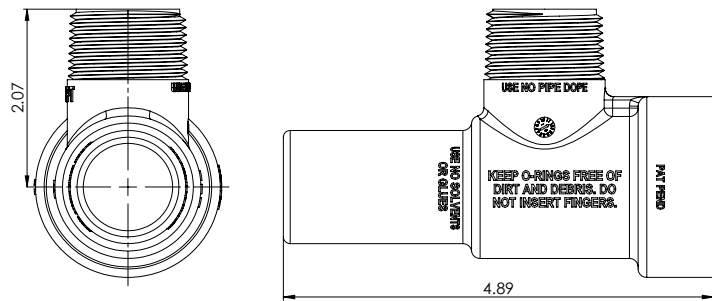
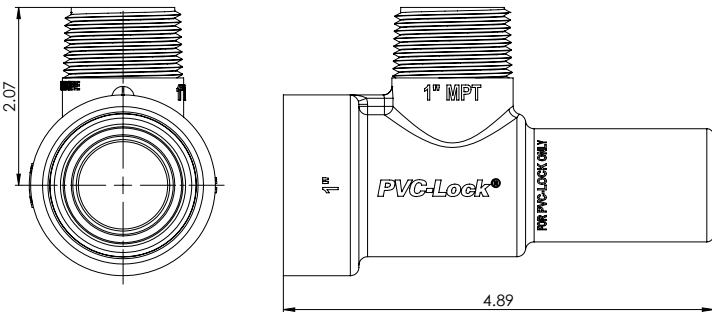
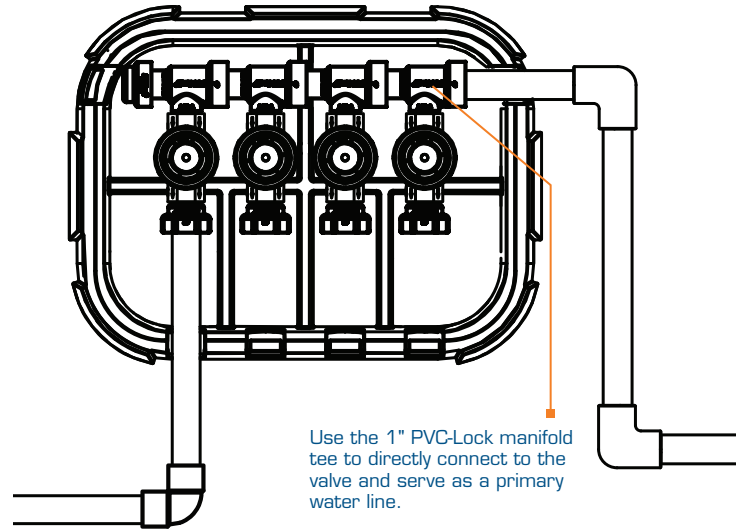
BY HYDRO-RAIN

SPECIFICATIONS

- PVC-Lock® Lateral Pipe Fittings:
 - Max working pressure: 150 PSI (10.5 BAR at 68° F (20° C)
 - Burst Pressure: 600 PSI (41.4 BAR)
 - Working Pressure: 0 - 150 PSI (10.5 BAR)
 - Body Material: ABS
 - Retaining Ring Material: Stainless Steel
 - Seal Material: EPDM

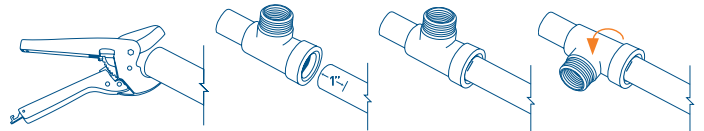
Warning: For cold water outdoor irrigation connections only. Do not insert fingers. Use only PVC pipe with PVC-Lock® fittings. Ensure that pipe and fittings are free of dirt and debris prior to inserting the pipe into fitting.

WHERE IS PVCL-476 USED?



SIMPLE INSTALLATION

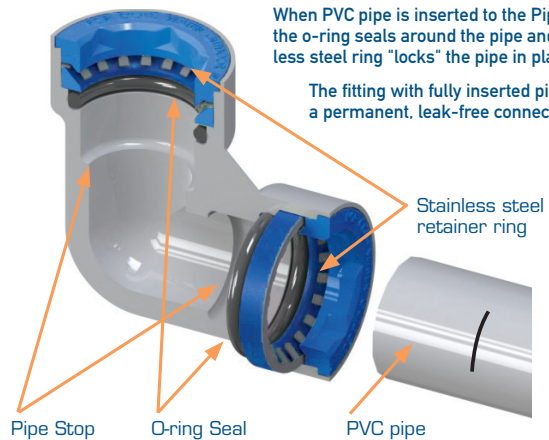
1. Cut pipe to length
2. Measure back 1"
3. Bevel the pipe
4. Insert to stop
5. All PVC-Lock® fittings swivel 360° allowing for easy directional adjustment.



HOW DOES PVC-LOCK® WORK?

When PVC pipe is inserted to the Pipe Stop, the o-ring seals around the pipe and the stainless steel ring "locks" the pipe in place.

The fitting with fully inserted pipe creates a permanent, leak-free connection.



08685-36 Rev A